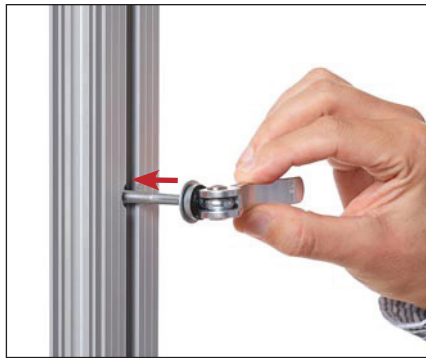


**Twist Lock**

To attach two profiles/frames to each other  
IS-9339



**1** Drill a 13 mm hole in the center of that profile you want to insert a Twist Lock.  
Some profiles are predrilled from the factory.



**2** Push the Twist Lock pin into and through the drilled hole.



**3** Bring the second profile/frame into contact with the clamp pin. Holding the clamp handle perpendicular to the profile will provide proper pin alignment.



**4** Twist the handle 90°



**5** Bend the handle over and lock the clamp.



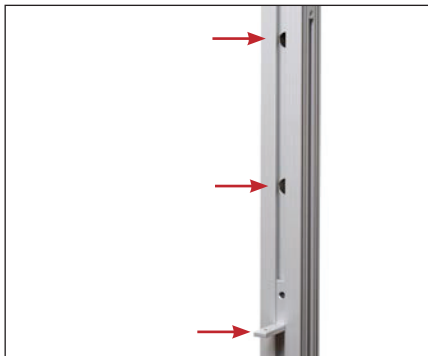
**6** You are now ready and the two profiles are now connected.



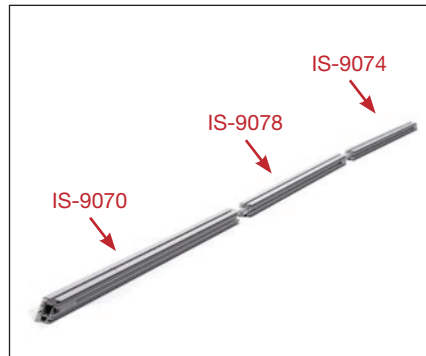
## Front header

Suitable for lengths from 2 to 6 meters (6.5 to 20 ft.)

35 x 200 cm	Item IS-9470
35 x 300 cm	Item IS-9471
35 x 400 cm	Item IS-9472
35 x 500 cm	Item IS-9473
35 x 600 cm	Item IS-9474



**1** Build up your stand and use the special post, IS-9074-S with the two holes and Support-Multi connector in at the top/front of the side frames.



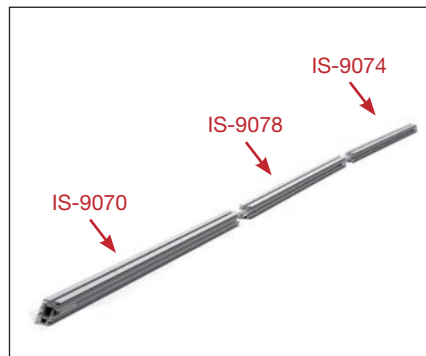
**2** Start to build the Front Header Frame. with the horizontal bottom beam first



**3** Mount one of the Vertical End Profile, IS-9360, in each end of the horizontal bottom profile.



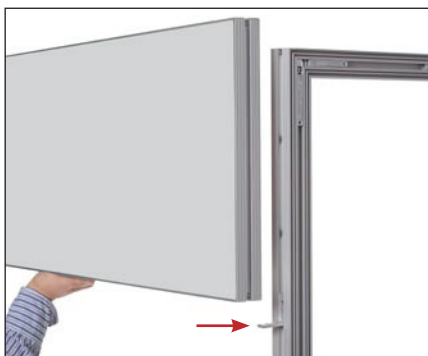
**4** Mount one of the Vertical Stabilizing Profile, IS-9361, over each joint.



**5** Build the horizontal top beam and attach this in top of the header with corner clamps and with the vertical stabilizing profile clamps.



**6** Mount the fabric graphic panel, if you use it double sided make two holes for the Twist Clamp on the reverse side of the graphic.



**7** Lift up the header on the Support-Multi connection brackets...

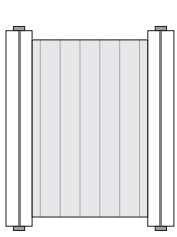


**8** ...and Insert-Twist-Lock with the two Twist clamps in each side. See separate instruction.



**9** Your front header is now ready!

## Part List



Vertical Stabilizing Profile,  
IS-9361



Vertical End Profile,  
IS-9360



90° bracket,  
IS-9051



Twist clamp  
IS-9339



End profile w/ 2 holes and Support-Multi connector, IS-9074-S



Start profile, IS-9070



Extension profile, IS-9078



End profile, IS-9074

Product / Header size	IS-9470 350 x 2000 mm	IS-9471 350 3000 mm	IS-9472 350 4000 mm	IS-9473 350 5000 mm	IS-9474 350 6000 mm
Start profile, IS-9070	2	2	2	2	2
Extension profile, IS-9078	0	2	4	6	8
End profile, IS-9074	2	2	2	2	2
Vertical End Profile, IS-9360	2	2	2	2	2
Vertical Stabilizing Profile, IS-9361	1	2	3	4	5
90° bracket, IS-9051	8	8	8	8	8
Twist clamp, IS-9339	4	4	4	4	4
Start profile, IS-9374-S	2	2	2	2	2

w/ 2 holes and Support-Multi connector  
Replace the top/front profile in the two side frames



For graphic sizes, see:  
Frame sizes & Graphic fabric production